

Ref #	Part Number	Qty	S/P/F	Description
1	735-0189	1		Foot Pad
2	13080	1		Foot Pedal Brkt. Ass'y. - R.H.
3	715-0114	1	S/F	Spring Pin Spiral 1/4" Dia. x 1.50" Lg.
?4	720-0166	1	/P	Ball Knob - Brake
5	747-0283	1		Brake Rod
6	736-0101	1	S	FI-Wash. .375" I.D. x 1.00" O.D. x .030"
7	711-0198	1	S	Ferrule
8	13548A	1		Brake Transfer Shaft Ass'y.
9	13523	1		Parking Brake Cam
10	720-0223	1		Grip
11	13787	1		Control Arm Ass'y. Comp.
12	738-0186	1		Shld. Bolt .62" Dia. x 2.75" Lg.
13	736-0187	1	/P	FI-Wash. .460" I.D. x 1.24" O.D. x .06"
14	712-0222	1		Push Speed Nut for .625" Dia. Shaft
15	738-0402	1		Brake Pivot Shaft
16	715-0114	1	S/F	Spring Pin Spiral 1/4" Dia. x 1.50" Lg.
17	741-0225	1	S	Hex Flange Brg. Plastic .62" I.D.
18	13505B	1		Brake Lever Ass'y. Code: N Notates a new part (not previously existing).
19	750-0181	1		Spacer
20	683-0020	1		Control Handle Shaft Ass'y.
21	712-0158	1	S	Hex Cent. L-Nut 5/16-18 Thd.
22	712-0241	1	/P/F	Hex Nut 3/8-24 Thd.
23	736-0169	1	S/F	L-Wash. 3/8" I.D.
24	748-0270	1		Spacer
25	738-0138	1	S	Shoulder Bolt
26	736-0406	1	S	FI-Wash. 7/16" I.D. x 1-3/8" O.D.
27	723-0351	1	S	Ball Joint Ass'y. 3/8-24 Thd. - L H.
28	750-0915	1		Spacer
29	736-0362	1	/P	FI-Wash. .325" I.D. x 1.25" O.D.
?30	710-0643	1	/P	Hex Ins. Bolt 5/16-18 x 1.00" Lg.
31	747-0365	1	S	Tie Rod
32	710-0216	1	/P/F	Hex Bolt 3/8-16 x .75" Lg.
34	13562	1		Support Channel
35	710-0118	1	S/F	Hex Bolt 5/16-18 x .75" Lg.
36	738-0296	1	S	Shld. Bolt .437" Dia. x .268"
37	13555	1		Cam Plate
38	13557	1		Slide Mtg. Plate Ass'y.
39	712-0158	1	S	Hex Cent. L-Nut 5/16-18 Thd.
40	712-0206	1	S/F	Hex Nut 1/2-13 Thd.
41	736-0921	1	S/F	L-Wash. 1/2" I.D.
42	736-0300	1	S	FI-Wash. .385" I.D. x .87" O.D. x .060"
43	710-0492	1		Socket Hd. Scr. 3/8-16 x 2.75" Lg.
44	716-0123	1		Snap Ring
45	714-0131	1		#5 Hi-Pro Key 1/8" x 5/8" Dia.
46	712-0107	1	S	Hex Cent. L-Nut 1/4-20 Thd.
47	13559	1		Pintle Plate Assembly
48	736-0142	1	S	FI-Wash. .281" I.D. x .50" O.D. x .063"
49	741-0154	1		Needle Brg. .31" I.D. x .50" O.D. x .437" Lg.
50	710-0491	1	/P	Shld. Bolt .31" Dia. x .500
51	13556A	1	/P	Neutral Control Slide

143-998-190 GT-1855 (1993)
Disc Brake & Control Arm Assemblies

Page 3 of 28

Ref #	Part Number	Qty	S/P/F	Description
52	747-0873	1		Neutral Control Rod Code: N Notates a new part (not previously existing).
53	736-0264	1	S	FI-Wash. .312" I.D. x .630" O.D. x .063"
54	714-0104	1	S	Hairpin Cotter
55	13702	1		Brake Link Rod Ass'y.
56	717-0402	1		Universal Drive Shaft Comp. For model 996 Only
	647-0012	1		Universal Drive Shaft Comp Code: N Notates a new part (not previously existing). For model 996 Only
57	747-0282	1		Parking Brake Link
58	731-0317	1	S	Fan Ass'y.
59	714-0388	1	S	#61 Hi-Pro Key 3/16 x 5/8" Dia.
60	HU-24-13772	1	S	Lining - Brake
61	HU-24-13772	1	S	Lining - Brake
62	HU-39-13774	1		Actuator Pin
63	HU-39-14232	1		Housing with Lever and Pin
64	HU-20-9764	1		Washer
65	HU-37-13818	1	S	Nut
66	HU-39-13775	1	S	Adjustment Pin
67	732-0260	1	S	Extension Spring .50" O.D. x 6.5" Lg.
68	732-0429A	1	S	Extension Spring (Brake Return)
69	761-0170	1		Disc Brake Ass'y. Comp.
70	761-0142	1	/P	Brake Disc Ass'y.
71	714-0137	1	/P	Hi-Pro Key 3/16 x 3/4" Dia.
72	751-0239	1		Dipstick Tube Ass'y.
73	751-0240	1	S	Dipstick Ass'y.
74	736-0119	1	S/F	L-Wash. 5/16" I.D.
75	712-0267	1	S/F	Hex Nut 5/16-18 Thd.
76	714-0115	1	S/F	Cotter Pin 1/8" Dia. x 1.00" Lg.
77	736-0162	1	/P	FI-Wash. .635" I.D. x 1.00" O.D. x .120" Thk.
78	710-0102	1	S/F	Hex Scr. 1/4-20 x 2.50" Lg.
79	712-0287	1	S/F	Hex Nut 1/4-20 Thd.
80	736-0329	1	S/F	L-Wash. 1/4" I.D.
81	710-0342	1	S/F	Hex Scr. 3/8-16 x 1.25" Lg.
82	HU-25-13808	1	S	Backing Plate
84	737-0280	1	S	Grease Fitting
85	712-0240	1	S/F	Hex Nut 7/16-20 Thd.
86	736-0171	1	S/F	L-Wash. 7/16" I.D.
87	732-0121	1	S	Extension Spring
89	712-0287	1	S/F	Hex Nut 1/4-20 Thd.
90	710-0106	1	/P/F	Hex Bolt 1/4-20 x 1.25" Lg.
91	736-0329	1	S/F	L-Wash. 1/4" I.D.
92	736-0101	1	S	FI-Wash.
93	736-0427	1	S	FI-Wash. .38" I.D. x 1.25" O.D.
94	736-0242	1	/P	Bell-Wash.
95	710-0289	1	S	Hex Bolt 1/4-20 x 1/2" Lg.
96	725-3169A	1	S	Safety Switch (Clutch)
97	723-0156	1	S	Ball Joint Ass'y. 3/8-24 Thd. - R.H.
98	736-3081	1		FI-Wash. .32" I.D. x .6" O.D.
99	710-0666	1		Set Screw 5/16-18 x .38" Lg.

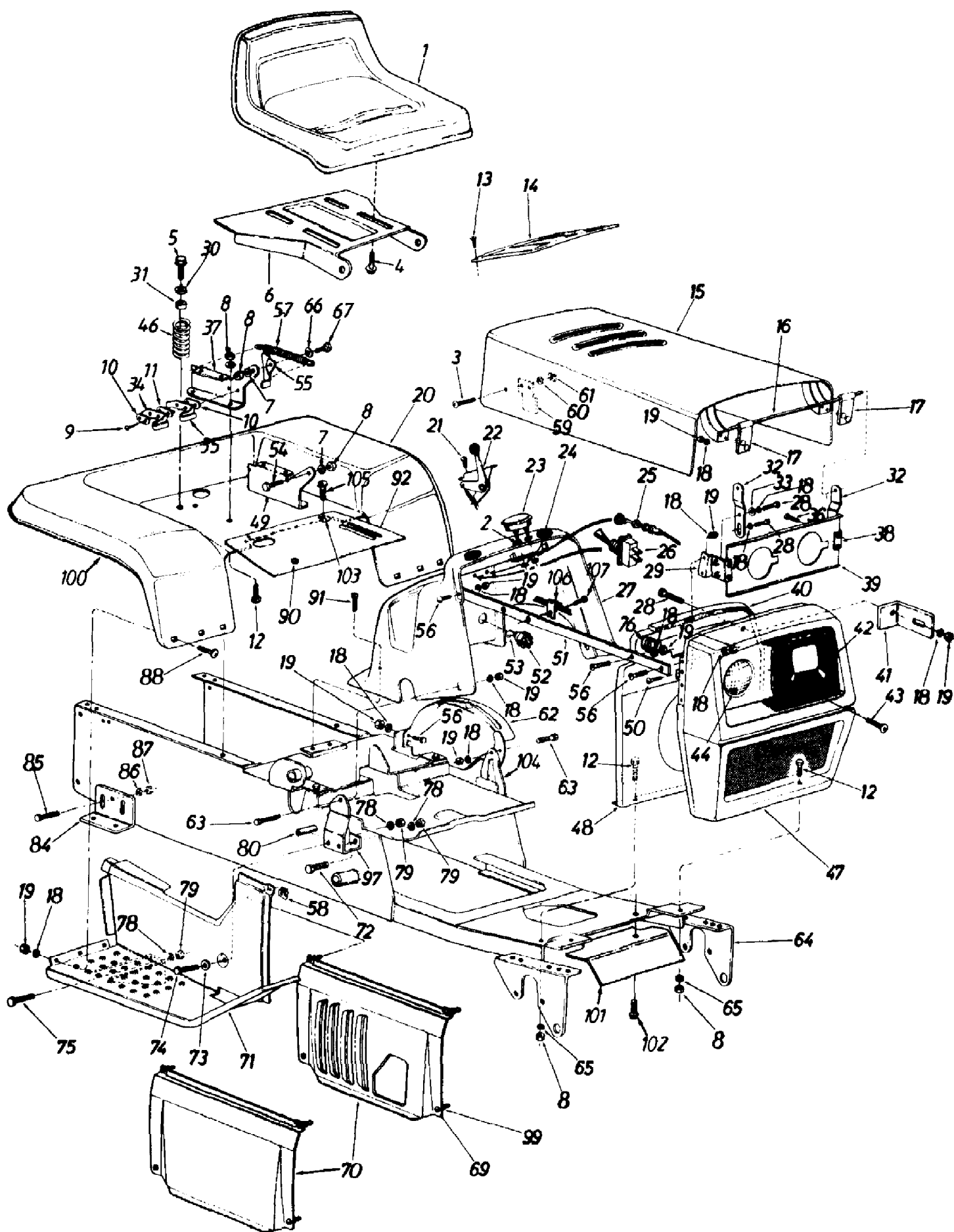
143-998-190 GT-1855 (1993)
Disc Brake & Control Arm Assemblies

Ref #	Part Number	Qty	S/P/F	Description
100	736-0436	1	S	Thrust Washer

143-998-190 GT-1855 (1993)
Electrical System

Page 6 of 28

Ref #	Part Number	Qty	S/P/F	Description
?1	725-0201	1	S	Ignition Key (Not shown)
2	725-0267	1	S	Ignition Switch
	725-1396	1	S	Ignition Switch For model 998 Only
3	725-3141	1	S	Ammeter
4	725-0459	1	S	Circuit Breaker 8 Amp
	725-1382	1	/P	Circuit Breaker 20 Amp For model 998 Only
5	725-1426	1	S	Solenoid
6	725-0558	1		Electric Wire
7	725-0994	1	S	Electric Wire
8	725-0453B	1	S	Battery Code: N Notates a new part (not previously existing).
9	725-1644	1		Spring Switch (Reverse Safety)
10	725-0562	1	S	Electric Wire
11	725-0222	1	S	Headlights
12	725-3169A	1	S	Safety Switch (PTO & Clutch)
14	629-0083	1		Wire Harness
	629-0119	1		Wire Harness Code: N Notates a new part (not previously existing). For model 998 Only
15	725-0646	1	S	Light Switch
16	725-1303	1	S	Safety Switch (Seat)
17	725-1439	1		Safety Switch (Seat)
18	725-0662	1	S	Battery Boot
19	725-0612	1	S	Taillight For model 998 Only
20	725-1380	1		Taillight Harness For model 998 Only
21	725-3020	1	S	Taillight Bulb For model 998 Only



143-998-190 GT-1855 (1993)
Frame Assembly, Dash And Hood

Page 8 of 28

Ref #	Part Number	Qty	S/P/F	Description
1	757-0351	1		Seat Ass'y.
2	736-0722	1	S	L-Wash. .190" I.D.
3	710-0192	1	/P	Truss Hd. Mach. Scr. #10-24 x .38" Lg.
4	710-0623	1	/P	Hex Wash. Hd. Self-Tap Scr. 5/16-18 x .75" Lg.
5	710-0601	1	S	Hex Wash. Hd. Tap Scr. 5/16-18 x .75" Lg.
6	15607D	1	S	Seat Pivot Bracket
7	736-0119	1	S/F	L-Wash. 5/16" I.D.
8	712-0267	1	S/F	Hex Nut 5/16-18 Thd.
9	710-0227	1	/P	Hex Wash. Hd. AB-Tap Scr. #8 x .5" Lg.
10	726-0279	1		Insulator Plate
11	726-0278	1		Insulator Boss Plate
12	710-0118	1	S/F	Hex Bolt 5/16-18 x .75" Lg.
13	710-0697	1	/P	Self-Tap Oval Hd. Scr. 1/2" Lg.
14	731-0384	1		Dash Panel Cover
15	13472	1		Hood Ass'y.
16	747-0231	1		Hinge Rod
17	13581	1		Hood Hinge Ass'y.
18	736-0329	1	S/F	L-Wash. 1/4" I.D.
19	712-0287	1	S/F	Hex Nut 1/4-20 Thd.
20	783-0029	1	S	Rear Fender (996) Code: N Notates a new part (not previously existing)
	783-0140	1	/P	Rear Fender (998)
21	710-0721	1		FI-Hd. Truss Scr. #10 x .62" Lg.
22	746-0907	1	S	Throttle Control For model 996 Only
	746-0915	1		Throttle Control For model 998 Only. Code: N Notates a new part (not previously existing)
23	725-3141	1	S	Ammeter
24	735-0199A	1	S	Rubber Bumper
25	746-0343	1		Choke Control For model 996 Only
	746-0914	1		Choke Control For model 998 Only. Code: N Notates a new part (not previously existing)
26	725-0646	1	S	Light Switch
27	731-0463	1		Dash Panel
28	710-0258	1	S/F	Hex Bolt 1/4-20 x .62" Lg.
29	13689	1		Hood Support Brkt. Ass'y. - R.H.
30	736-0159	1	S	FI-Wash. .344" I.D. x .875"
31	722-0160	1		Bushing
32	13585	1		Hinge Rod Support
33	736-0211	1	S	FI-Wash. .250" I.D. x 1.25" O.D.
34	725-1303	1	S	Safety Switch (Seat)
35	725-1439	1		Safety Switch (Seat)
36	710-0294	1	F	Hex Bolt 1/4-20 x .38" Lg.
37	17950	1	S	Seat Pivot Support Brkt. - R.H.
38	13690	1		Hood Support Brkt. Ass'y. - L.H.
39	13687	1		Head Lamp Retainer
40	722-0136	1		Foam Strip
41	13724	1		Heat Shield Brkt.
42	731-0465	1		Head Lamp Bezel
43	710-0425	1	/P	Truss Mach. Scr. #10-24 x .50" Lg.
44	725-0222			

143-998-190 GT-1855 (1993)
Frame Assembly, Dash And Hood

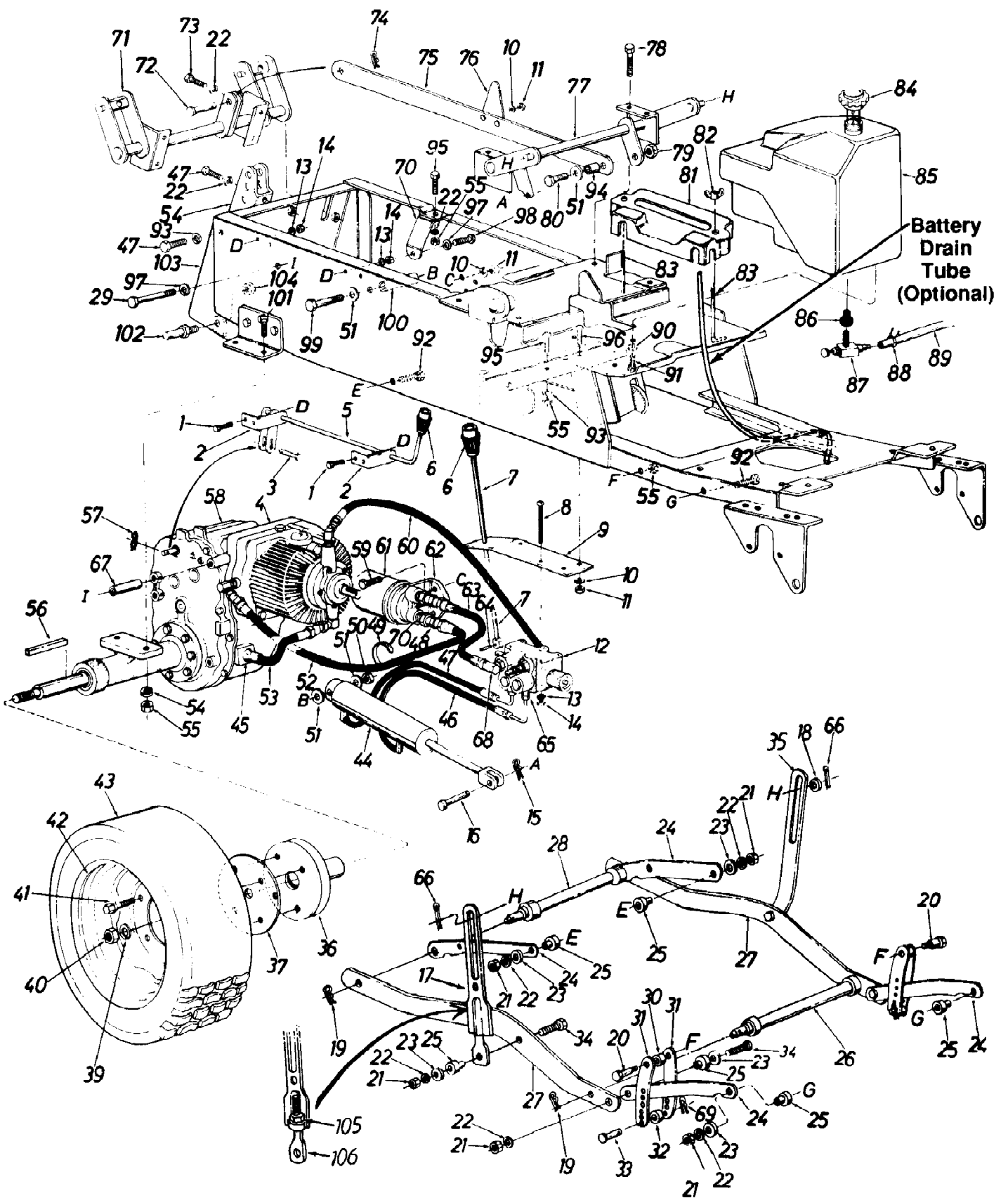
Page 9 of 28

Ref #	Part Number	Qty	S/P/F	Description
46	732-3075	1		Compression Spring 4.5" Lg. Code: N Notates a new part (not previously existing)
47	783-0101	1		Grille Code: N Notates a new part (not previously existing)
48	13569	1		Heat Shield For model 996 Only
	783-0110	1		Heat Shield For model 998 Only. Code: N Notates a new part (not previously existing)
49	17951	1	S	Seat Pivot Support Brkt. - L.H.
50	710-0286	1	/P/F	Truss Mach. Scr. 1/4-20 x .75" Lg.
51	13725	1		Grille Strap
52	725-0267	1	S	Ignition Switch For model 996 Only
	725-1396	1	S	Ignition Switch For model 998 Only
53	725-0201	1	S	Ignition Key
54	738-0155	1	S	Shld. Bolt .437" Dia. x .162"
55	17239A	1	S	Seat Lift Bracket
56	710-0252	1	/P/F	Hex Bolt 1/4-20 x .75" Lg.
57	732-0581B	1	S	Extension Spring 5.31" Lg.
58		1		UNKNOWN
59	732-0391	1		Hood Spring
60	736-0722	1	S	L-Wash. #10
61	712-0121	1	S	Hex Nut #10-24 Thd.
62	13528	1	S	Speed Control Guide
63	710-0255	1	S/F	Truss Mach. Scr. 1/4-20 x .75" Lg.
64	13509B	1		Frame Ass'y. Code: N Notates a new part (not previously existing)
65	736-0242	1	/P	Bell-Wash. 5/16" I.D.
66	736-0141	1	S	Spr. Wash. .445" I.D. x .75"
67	738-0296	1	S	Shld. Bolt .437" Dia. x .268"
69	726-0167	1		1/4-Turn Stud
70	13525	1		Side Panel - R.H. & L.H. For model 996 Only
	783-0108	1		Side Panel - R.H. For model 998 Only. Code: N Notates a new part (not previously existing)
	783-0109	1	S	Side Panel - L.H. For model 998 Only. (Not shown) Code: N Notates a new part (not previously existing)
71	13576	1		Foot Step Panel Ass'y. - R.H.
	13577	1		Foot Step Panel Ass'y. - L.H. (Not shown)
72	710-0253	1	S	Hex Bolt 3/8-16 x 1.00" Lg. Grade 5
73	736-0117	1	S	FI-Wash. .385" I.D. x .62" O.D.
74	710-0194	1	/P/F	Hex Bolt 3/8-16 x 3.00" Lg.
75	710-0253	1	S	Hex Bolt 3/8-16 x 1.00" Lg. Grade 5
76	723-3045	1		Snap Bushing For model 998 Only
78	736-0169	1	S/F	L-Wash. 3/8" I.D.
79	712-0798	1	/P/F	Hex Nut 3/8-16 Thd.
80	750-0261	1		Spacer .375" I.D. x .62" O.D. x 2.00" Lg.
84	13066	1		Transaxle Support Brkt.
85	710-0617	1		Rd. Hd. Rib Neck Scr. 3/8-24
86	736-0217	1	S/F	L-Wash. 3/8" I.D.
87	712-0241	1	/P/F	Hex Nut 3/8-24 Thd.
88	710-0167	1		Hex Bolt 3/8-16 x 1.00" Lg.

143-998-190 GT-1855 (1993)
Frame Assembly, Dash And Hood

Page 10 of 28

Ref #	Part Number	Qty	S/P/F	Description
90	731-0405	1		Snap Bushing
91	710-0618	1		Fl. Hd. Self Tap Scr. 1/4-20 x .62" Lg.
92	13529	1		Transmission Cover
97	13536	1		Dash Panel Mtg. Brkt. - R.H.
99	726-0168	1		Retainer
100	731-0511-84	1		Trim Strip 84" Lg.
101	783-0113	1		Dust Shield Code: N Notates a new part (not previously existing)
102	710-0502A	1	/P	Hex L-Wash. TT-Tap Scr. 3/8-16 Thd.
103	712-0147	1	/P	Speed Nut #10-24 Thd.
104	683-0023	1		Dash Panel Mtg. Brkt. - L.H. Code: N Notates a new part (not previously existing)
105	710-0473	1	/P	Truss Mach. Scr. #10-24 x .5" Lg.
106	726-0272	1	/P	Clamp
107	710-0607	1	/P	Self-Tap Scr. 5/16 x .5" Lg.



143-998-190 GT-1855 (1993)
Gas Tank & Hydrostatic Pump

Page 12 of 28

Ref #	Part Number	Qty	S/P/F	Description
1	710-0237	1	/P/F	Hex Bolt 1/4-20 x .75" Lg.
2	13524	1	S	Hi-Lo Speed Control Brkt.
3	711-0684	1		Clevis Pin 1/4" Dia.
4	717-0344	1	S	Hydrostatic Pump Comp.
5	13532	1		Hi-Lo Control Handle Ass'y.
6	720-0232	1	S	Shift Knob
7	13531	1		Cylinder Control Handle Ass'y.
8	710-0105	1	F	Truss Mach. Scr. 1/4-20 x 3.00" Lg.
9	13534	1		Valve Base Plate
10	736-0119	1	S/F	L-Wash. 5/16" I.D.
11	712-0267	1	S/F	Hex Nut 5/16-18 Thd.
12	727-0200	1	S	Valve Ass'y. Comp.
13	736-0329	1	S/F	L-Wash. 1/4" I.D.
14	712-0287	1	S/F	Hex Nut 1/4-20 Thd.
15	714-0101	1	S	Hairpin Cotter 1/2" Dia.
16	711-0140	1	S	Clevis Pin 1/2" Dia.
17	683-0031	1		Adj. Deck Link Code: N Notates a new part (not previously existing)
18	736-0156	1	/P	FI-Wash. .62" I.D. x 1.12"
19	714-0147	1		Hairpin Cotter
20	738-0148	1	S	Shld. Bolt .498" Dia. x .66"
21	712-0241	1	/P/F	Hex Nut 3/8-24 Thd.
22	736-0217	1	S	L-Wash. 3/8" I.D. - H.D.
23	736-0258	1	/P	FI-Wash. .38" I.D. x 1.00"
24	13151	1	S	Lift Arm
25	750-0526	1		Spacer .385" I.D.
26	13729	1		Cross Shaft Ass'y. - Front
27	13139	1	S	Lift Arm Link
28	13728	1		Cross Shaft Ass'y. - Rear
29	710-0490	1	F	Hex Bolt 1/2-13 x 2.75"
30	711-0146	1		Collar .50" I.D. x 1.0"
31	13545	1	S	Index Brkt.
32	711-0242	1	S	Spacer .38" I.D. x 1.0" O.D.
33	711-0173	1	/P	Clevis Pin 3/8" Dia.
34	710-0459	1	S	Hex Bolt 3/8-24 x 1.50" Lg. - Grade 5
35	13570	1	S	Deck Link
36	13572	1		Rear Wheel Hub Ass'y.
37	13574	1	S	Hub Plate
39	736-0364	1	S	L-Wash. 3/4" I.D.
40	712-0288	1	S	Hex Ins. L-Nut 3/4-16 Thd.
41	710-0470	1	S	Wheel Lug Bolt
42	734-0935	1		Rear Wheel Rim Only
43	734-0934	1		Rear Wheel Ass'y. Comp. 27 x 9.50
	734-0397	1		Tire Only 27 x 9.50
	734-0936	1		Air Valve
44	727-0159	1		Hydraulic Cylinder
45	727-0220	1		7/8-14 UNF-2A Thd. 5/8 Tube Fitting
46	727-0219	1		Valve to Cylinder Hose - 20"
47	710-0216	1	/P	Hex Bolt 3/8-16 x .75" Lg. - Grade 5
48	727-0222	1		Bushing Reducer 1/2-14 NPTF to 3/8-18 NPTF
49	726-0178			

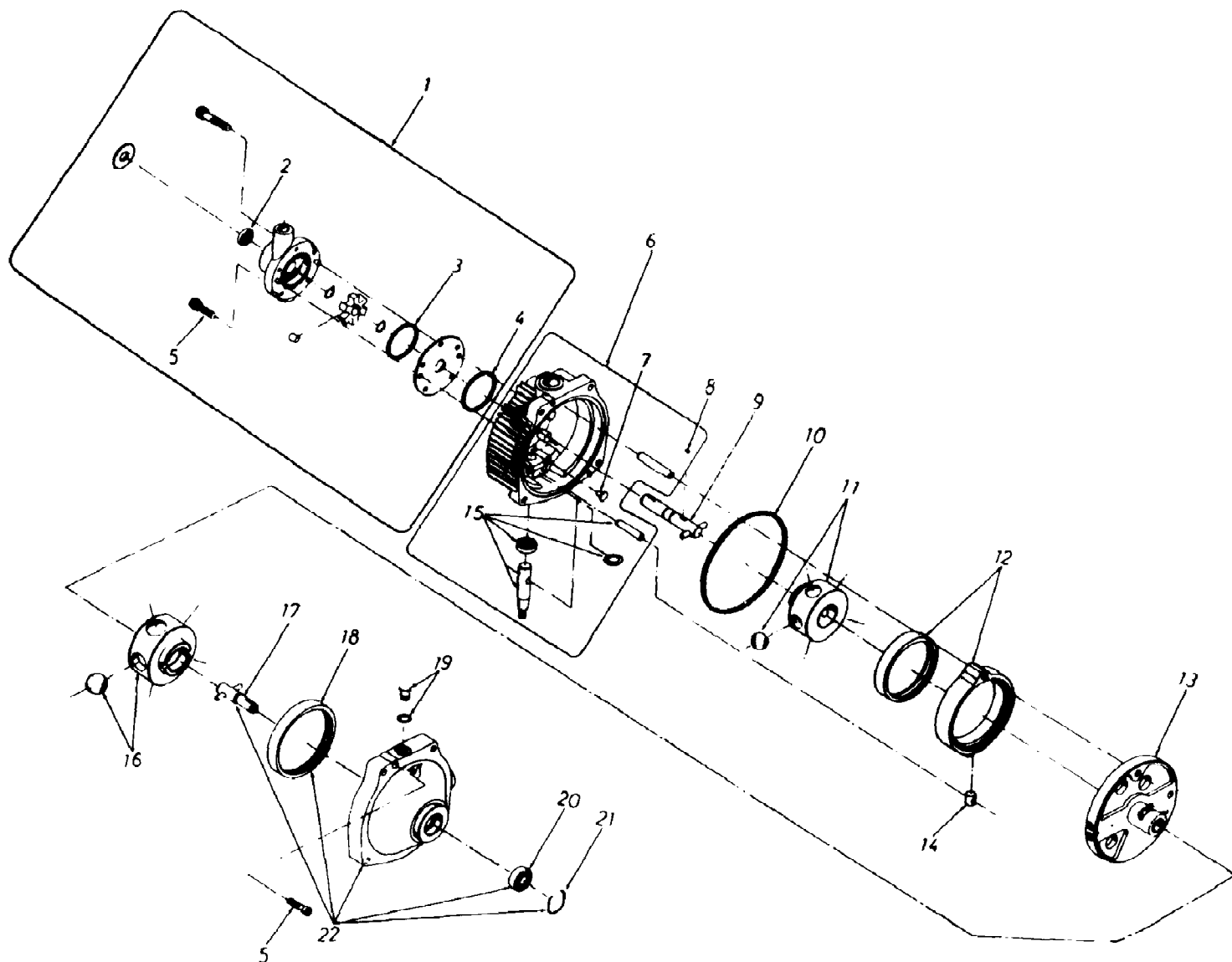
143-998-190 GT-1855 (1993)
Gas Tank & Hydrostatic Pump

Page 13 of 28

Ref #	Part Number	Qty	S/P/F	Description
50	712-0922	1	/P	Hex Jam Nut 1/2-20 Thd.
51	736-0179	1	S	FI-Wash. .50" I.D. x 1.25
52	727-0217	1		Filter Return Hose 24" Lg.
53	749-0309	1		Pump Tube Ass'y.
54	13026	1	S	Hitch Brkt.
55	712-0798	1	/P/F	Hex Nut 3/8-16 Thd.
56	714-0114	1	S	Sq. Key 1/4" x 1/4" x 2"
57	714-0104	1	S	Hairpin Cotter 1/4" Dia.
58		1		Peerless Transaxle (See Breakdown)
59	710-0528	1	/P	Hex Bolt 5/16-18 x 1.25"
60	727-0167	1		Pump to Valve Hose
61	727-0162	1		Fram Filter Ass'y. PH-16
62	727-0163	1		Filter Base
63	727-0218	1		Valve to Filter Hose - 8.38"
64	715-0129	1		Spring Pin Spiral 1/8" Dia.
65	727-0187	1		Flare Adapter
66	714-0115	1	S	Cotter Pin 1/8" Dia. x 1.0"
67	750-0417	1		Spacer
68	727-0175	1		Adapter 9/16-18 to 9/16-18
69	714-0145	1	S	Hairpin Cotter
70	13530	1		Transmission Brace
71	13135	1	S	Rear Lift Shaft Ass'y.
72	711-0654	1	/P	Clevis Pin
73	710-0514	1	/P	Hex Scr. 3/8-16 x 1.00" Lg. Grade 5
74	714-0470	1	S/F	Cotter Pin 1/8" Dia. x 1.25"
75	13709	1	S	Push Bar Ass'y.
76	13535	1		Position Indicator
77	13501	1		Lift Shaft Ass'y.
78	710-0649	1		Hex Self-Tap Scr. 3/8-24 x .88" Lg.
79	712-0239	1	S	Hex Cent. L-Nut 1/2-20 Thd.
80	710-0504	1	F	Hex Scr. 1/2-20 x 1.25" Lg.
81	731-0707	1		Battery Cover
82	712-0113	1	S	Wing Nut 1/4-20 Thd.
83	711-0222	1	S	Battery Hold Down Rods
84	751-0226	1	S	Gas Tank Cap
85	751-0238	1		Gas Tank Ass'y.
86	735-0149	1	S	Bushing
87	751-0171	1	S	Fuel Shut-Off Valve with Screen
88	726-0205	1	/P	Gas Line Clamp 1/2"
89	751-0535-26	1	S	Gas Line 26" Lg.
90	736-0270	1	/P	Bell-Wash.
91	710-0289	1	S/F	Hex Scr. 1/4-20 x .38" Lg.
92	710-0459	1	S/F	Hex Scr. 3/8-24 x 1.50" Lg."
93	736-0169	1	S/F	L-Wash. 3/8" Scr.
94	750-0336	1	S	Push Bar Sleeve
95	710-0253	1	S	Hex Scr. 3/8-16 x 1.00" Lg. - Grade 5
96	710-0118	1	S/F	Hex Scr. 5/16-18 x .75" Lg.
97	736-0921	1	S/F	L-Wash. 1/2" Scr.
98	710-0474	1	/P/F	Hex Scr. 1/2-13 x 1.25" Lg.
99	710-0515	1		Hex Scr. 1/2-20 x 3 1/2" Lg. - Grade 5
100	750-0443	1		Spacer for Cylinder
101	710-0347	1	/P/F	Hex Scr. 3/8-16 x 1.75" Lg.
102	711-0497			

143-998-190 GT-1855 (1993)
Gas Tank & Hydrostatic Pump

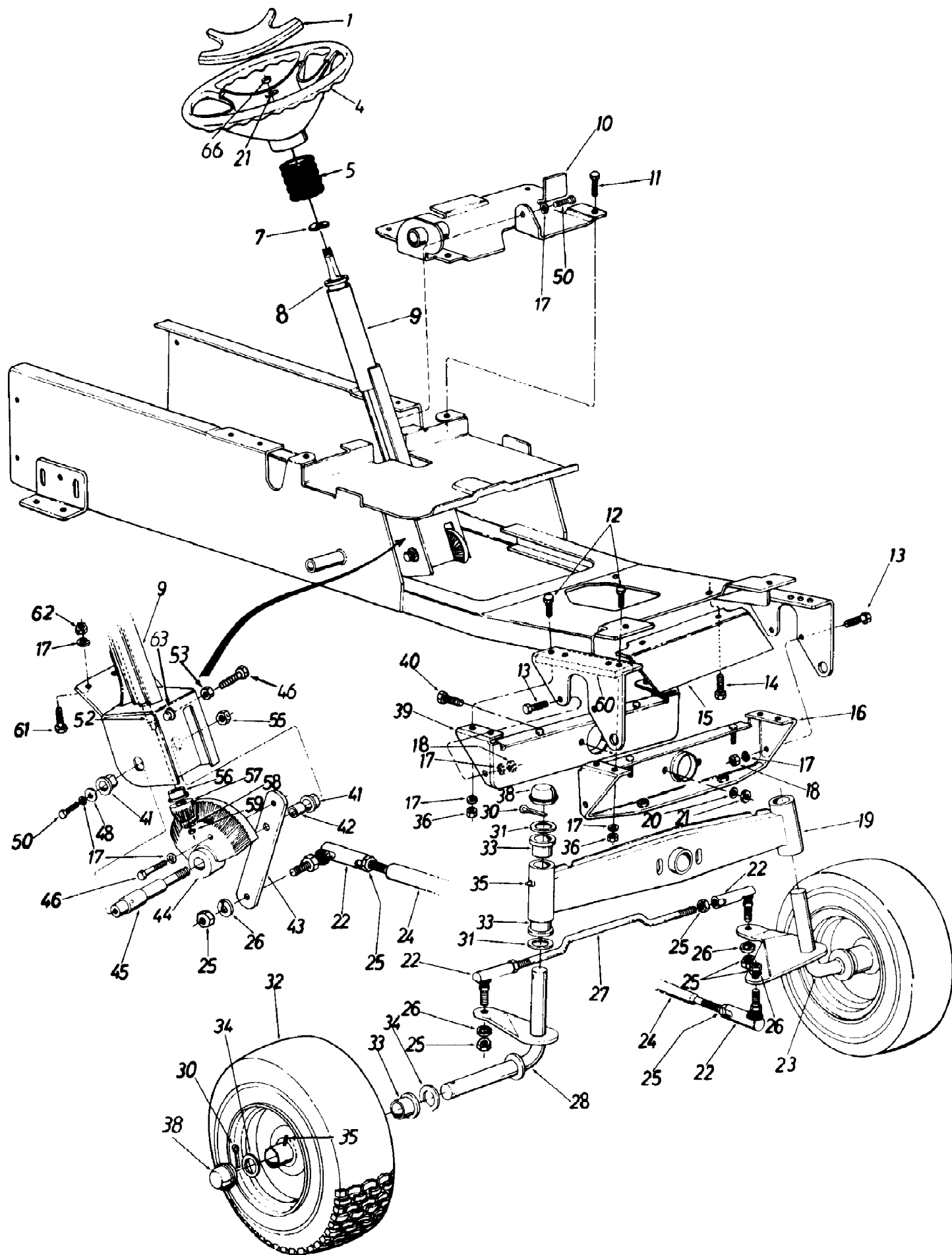
Ref #	Part Number	Qty	S/P/F	Description
103	13196	1	S	Hitch Plate Ass'y.
104	712-0923	1	/P	Hex Cent. L-Nut 5/8-18 Thd.
105	712-0206	1	S	Hex Nut 1/2-13 Thd.
106	711-0817	1	S	Eye Bolt



143-998-190 GT-1855 (1993)
Hydrostatic Transmission

Page 16 of 28

Ref #	Part Number	Qty	S/P/F	Description
	ET-001100-006	1		M11 Hydrostatic Transmission (717-0344)
1	ET-990045-000	1	/P	Charge Pump Kit
2	ET-092999-000	1	S	Oil Seal
3	ET-008771-036	1		Square Cut Seal Ring .036
4	ET-008771-038	1		Square Cut Seal Ring .038
5	ET-095912-125	1		Socket Head Cap Screw 5/16-18 x 1.25" Long
6	ET-990114-000	1		Cover Subassembly
7	ET-101597-000	1		Button
8	ET-090880-000	1		Drive Pin
9	ET-024129-000	1	/P	Input Shaft Subassembly
10	ET-008771-166	1	/P	Square Cut Seal Ring .166
11	ET-101470-000	1		Pump Rotor - Ball Subassembly
12	ET-101904-000	1		Cam Ring Subassembly
13	ET-101571-000	1		Pintle Subassembly
14	ET-097841-000	1		Cam Ring Insert
15	ET-990136-000	1		Control Shaft Kit
16	ET-101853-000	1		Motor Rotor - Ball Subassembly
17	ET-024608-000	1		Output Shaft Subassembly
18	ET-040525-000	1		Motor Race
19	ET-025090-006	1		"O"-Ring Plug Subassembly
20	ET-097879-000	1		Ball Bearing (Output)
21	ET-091231-000	1		Retaining Ring
22	ET-102583-000	1		Body Subassembly



143-998-190 GT-1855 (1993)
Steering Assembly

Page 18 of 28

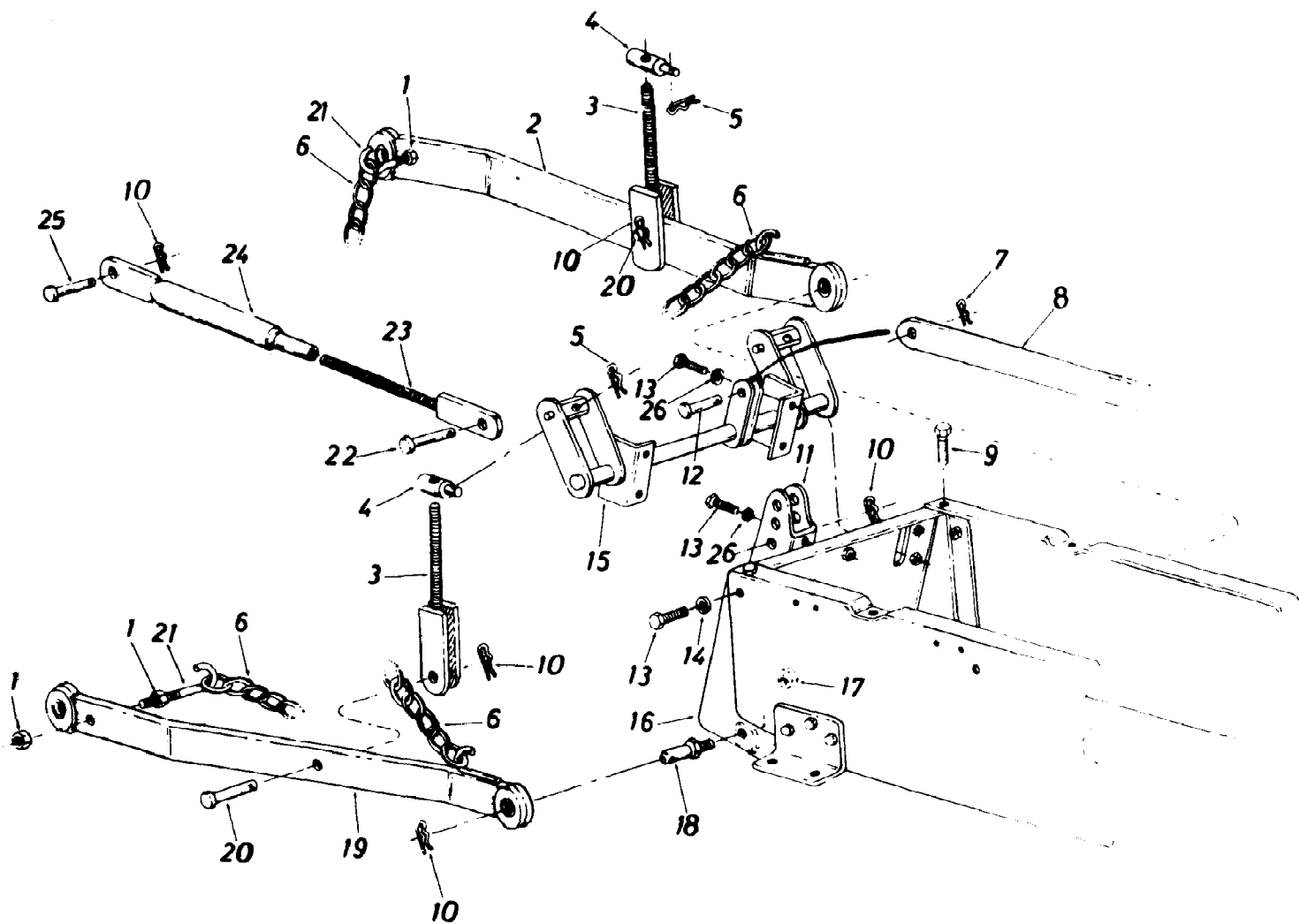
Ref #	Part Number	Qty	S/P/F	Description
1	731-1344	1		Steering Wheel Cap
?2	712-0237	1	S	Hex Cent. L-Nut 5/16-24 Thd.
?3	736-0242	1	/P	Bell-Wash. 5/16" I.D.
4	631-0005	1	S	Steering Wheel
5	731-0954	1	S	Steering Bellow
7	736-0174	1	/P	Wave Wash. .660" I.D. x .88" O.D.
8	741-0138	1		Ball Brg. .63" I.D. x 1.38" O.D.
9	13515	1	S	Steering Column Ass'y.
10	13586	1	S	Dash Panel Base Plate Ass'y.
11	710-0623	1	/P	Hex Self-Tap Scr. 3/8-16 x .75" Lg.
12	710-0344	1	/P/F	Hex Bolt 3/8-16 x 1.50" Lg.
13	710-0253	1	S/F	Hex Bolt 3/8-16 x 1.00" Lg.
14	710-0502	1	S	Hex Wash. S.F. Tap Scr. 3/8-16 x 1.25" Lg.
15	13547	1		Dust Shield
16	13032	1		Front Pivot Brkt. Ass'y.
17	736-0169	1	S/F	L-Wash. 3/8" I.D.
18	712-0798	1	/P/F	Hex Nut 3/8-16 Thd.
19	13008	1		Pivot Bar Ass'y.
20	736-0219	1	S/F	Bell-Wash. 3/8" I.D.
21	712-0375	1	/P/F	Hex Cent. L-Nut 3/8-16 Thd.
22	723-0179	1	S	Drag Link End
23	13001	1		Axle Ass'y. - L.H.
24	747-0294	1		Drag Link
25	712-0922	1	/P	Hex Nut 1/2-20 Thd.
26	736-0921	1	S/F	L-Wash. 1/2" I.D.
27	747-0279	1		Tie Rod
28	13002	1		Axle Ass'y. - R.H.
30	714-0142	1	/P/F	Cotter Pin 3/16" Dia. x 1.50" Lg.
31	736-0259	1	S	FI-Wash. 1.00" I.D. x 1.62" O.D.
32	734-1221	1		Front Wheel Ass'y. Comp.
	734-0787A	1		Front Wheel Rim Only
	734-0294	1	/P	Front Wheel Tire Only
	734-0255	1	S	Air Valve
33	731-0374	1	S	Flange Brg. 1" I.D.
34	736-0259	1	S	FI-Wash. 1" I.D. x 1.25" O.D.
35	737-0280	1	S	Grease Fitting
36	712-0798	1	/P/F	Hex Nut 3/8-16 Thd.
38	731-0349	1	S	Dust Cover
39	683-0047	1	S	Rear Pivot Brkt. Ass'y. Code: N Notates a new part (not previously existing)
40	710-0937	1	S/F	Hex Bolt 3/8-16 x 2.50" Lg.
41	741-0199	1	S	Flange Brg. w/Flats .753" I.D.
42	750-0333	1		Steering Gear Shaft Spacer
43	13132	1		Steering Arm
44	748-0238	1	S	Bevel Gear
45	738-0342	1	S	Steering Gear Shaft
46	710-0344	1	/P/F	Hex Bolt 3/8-16 x 1.50" Lg.
48	736-0133	1	S	FI-Wash. .406" I.D. x 1.25" O.D.
50	710-0216	1	/P/F	Hex Bolt 3/8-16 x .75" Lg.
52	738-0408	1		Steering Shaft
53	712-0342	1	/P	Hex Jam Nut 3/8-16 Thd.
55	712-0200A	1	/P	Hex Ins. L-Nut 1/2-20 Thd.

143-998-190 GT-1855 (1993)
Steering Assembly

Page 19 of 28

Ref #	Part Number	Qty	S/P/F	Description
56	748-0227A	1	S	Hex Flange Brg. .630 I.D.
57	748-0237	1	S	Pinion Gear
58	736-0264	1	S	Fl-Wash. 3/8" Dia.
59	712-0237	1	S	Hex Cent. L-Nut 5/16-24 Thd.
60	13539	1		Spacer
61	710-0152	1	S/F	Hex Bolt 3/8-24 x 1.00" Lg.
62	712-0241	1	/P/F	Hex Nut 3/8-24 Thd.
63	731-0988	1		Cap
66		1		UNKNOWN

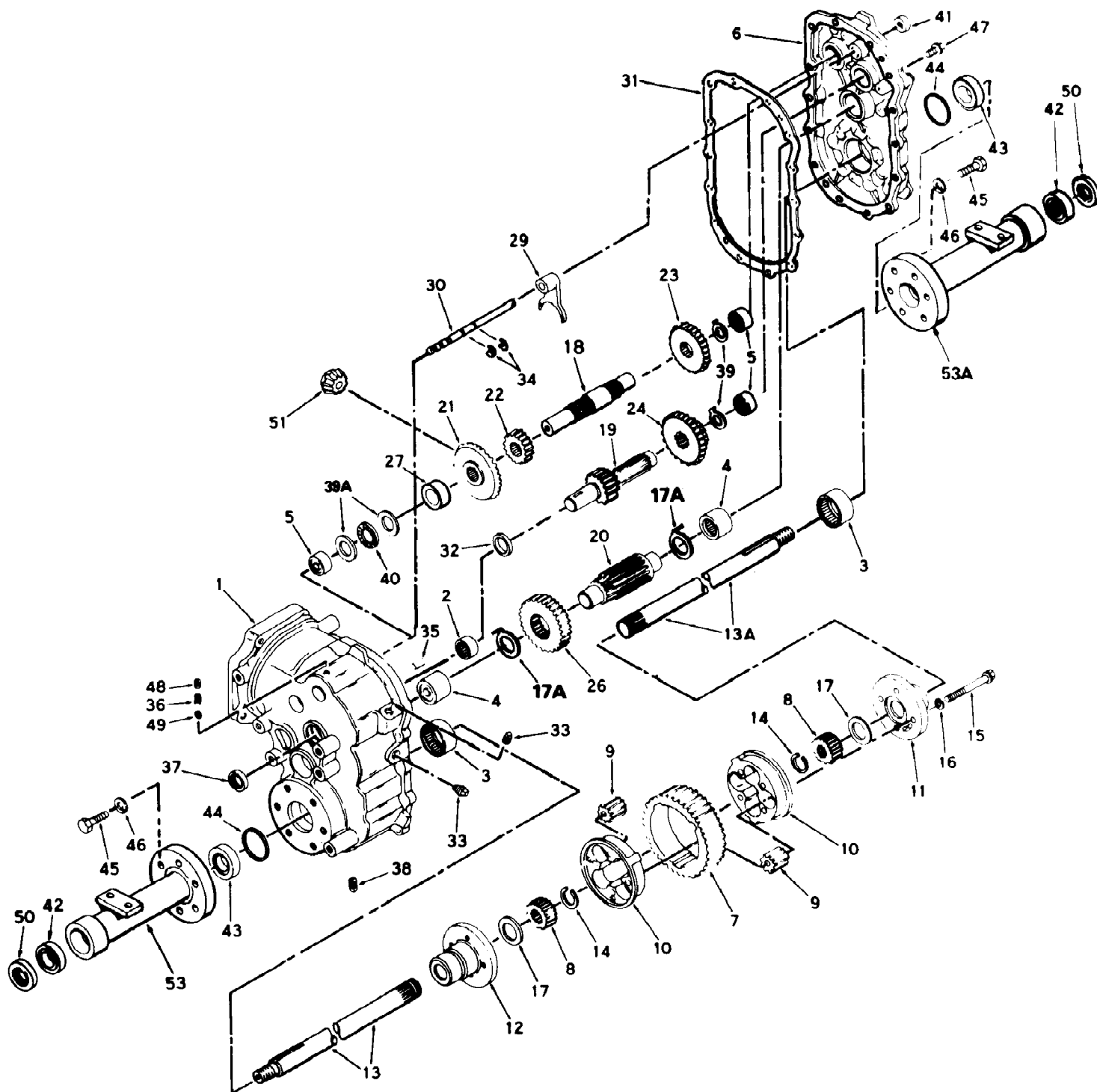
143-998-190 GT-1855 (1993)
Three Point Hitch



143-998-190 GT-1855 (1993)
Three Point Hitch

Page 21 of 28

Ref #	Part Number	Qty	S/P/F	Description
1	712-0290	1	/P	Hex Cent. L-Nut 7/16-14 Thd.
2	13130A	1	S	Draft Bar Ass'y. - L.H. Code: N Notates a new part (not previously existing)
3	13138	1		Clevis Screw Ass'y.
4	711-0649	1		Clevis Pin
5	714-0147	1		Hitch Pin Clip
6	713-0148	1		Chain - 20 Links
7	714-0470	1	S/F	Cotter Pin 1/8" Dia. x 1.25" Lg.
8	13709	1	S	Push Bar Ass'y.
9	710-0216	1	/P/F	Hex Scr. 3/8-16 x .75" Lg.
10	714-0117	1	/P	Hairpin Cotter
11	13026	1	S	Hitch Brkt.
12	711-0654	1	/P	Clevis Pin
13	710-0216	1	/P/F	Hex Scr. 3/8-16 x .75" Lg.
14	736-0217	1	S/F	L-Wash. 3/8" Scr. - H.D.
15	13135	1	S	Rear Lift Shaft Ass'y.
16	13196	1	S	Hitch Plate Ass'y.
17	712-0923	1	/P	Hex Cent. L-Nut 5/8-18 Thd.
18	711-0497	1		Link Clevis Pin
19	13129A	1	S	Draft Bar Ass'y. - R.H. Code: N Notates a new part (not previously existing)
20	711-0225	1	/P	Clevis Pin .63" Dia. x 1.66" Lg.
21	711-0639	1		Hitch Chain Hook
22	711-0299	1	/P	Clevis Pin .63" Dia. x 2.4" Lg.
23	711-0636	1		Clevis Screw
24	749-0238	1	S	Clevis Tubing
25	711-0299	1	/P	Clevis Pin .63" Dia. x 2.4" Lg.
26	736-0217	1	S	L-Wash. 3/8" Scr. - H.D.



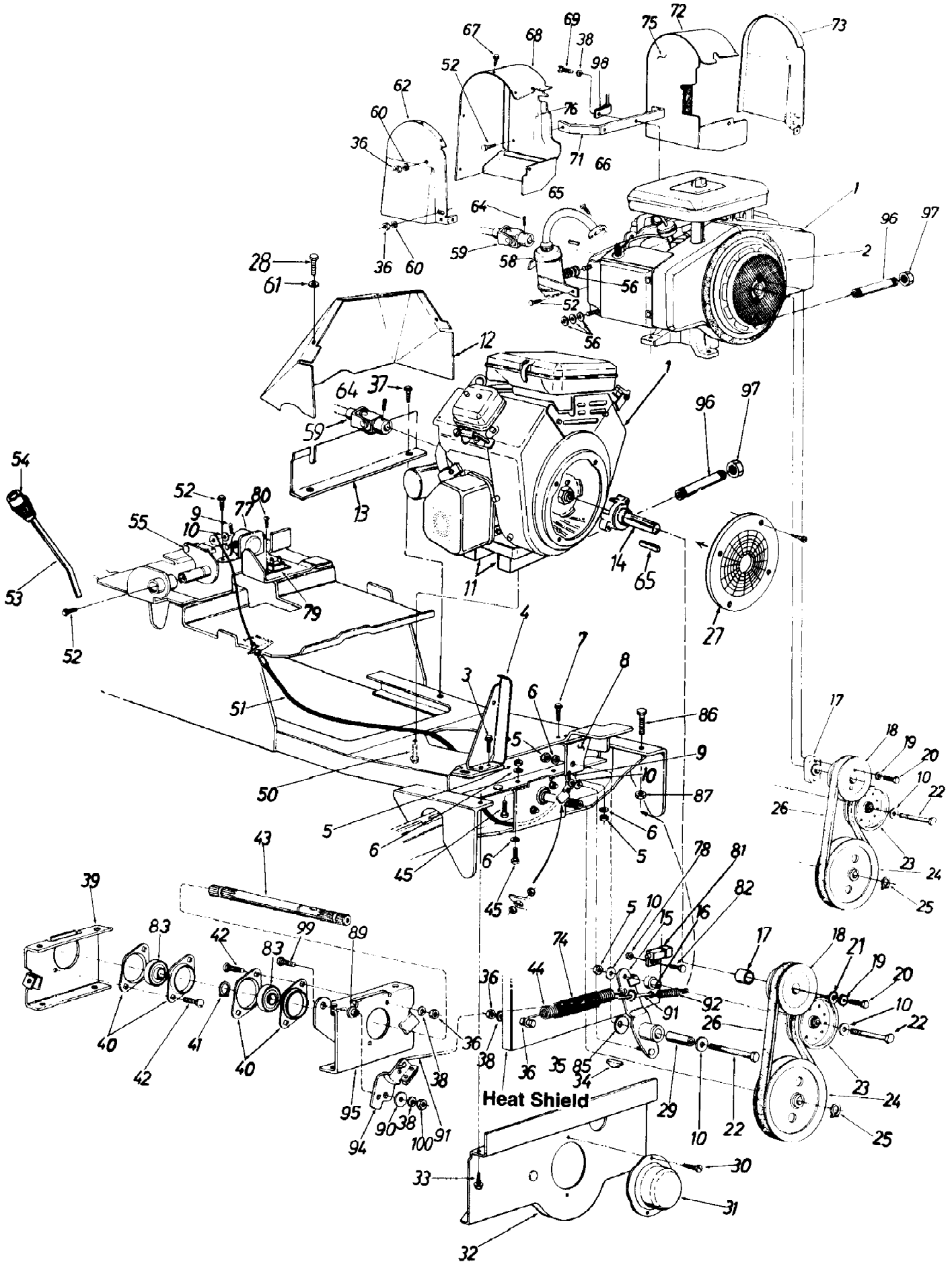
143-998-190 GT-1855 (1993)
Transaxle

Page 23 of 28

Ref #	Part Number	Qty	S/P/F	Description
1	PE-770060A	1		Case Ass'y., Transaxle (Incl. Nos. 2 thru 5)
2	PE-780097	1		Bearing, Needle
3	PE-780098	1		Bearing, Needle
4	PE-780099	1		Bearing, Needle
5	PE-780100	1		Bearing, Needle
6	PE-772065	1		Cover Ass'y., Transaxle (Incl. 3, 4 & 5)
7	PE-778084	1		Gear, Ring
8	PE-778085	1		Gear, Side
9	PE-778086	1		Gear, Pinion
10	PE-786054	1		Core, Body
11	PE-774199	1		Carrier, Differential
12	PE-774200	1		Carrier, Differential
13	PE-774390	1		Axle, (18-17/64" Long)
13A	PE-774389	1		Axle, (15-29/64" Long)
14	PE-792062	1		Ring, Snap
15	PE-792063	1		Screw, Hex Hd. Mach., 3/8-16 x 3-3/8
16	PE-792011	1		Lock Washer, 3/8"
17	PE-780101	1		Washer, Thrust
17A	PE-780156	1		Washer, Thrust
18	PE-776209	1		Shaft, Counter
19	PE-776122	1		Shaft, Brake
20	PE-776120	1		Pinion, Output
21	PE-778087	1		Gear, Bevel (30 Teeth)
22	PE-778088	1		Gear, Spur (16 Teeth)
23	PE-778096	1		Gear, Spur (23 Teeth)
24	PE-778097	1		Gear, Cluster (20 and 27 Teeth)
26	PE-778098	1		Gear, Output (37 Teeth)
27	PE-786094	1		Spacer (55/64" Long)
29	PE-784195	1		Fork, Shift
30	PE-784196	1		Rod, Shift
31	PE-788047	1		Gasket, Case and Cover
32	PE-780005	1		Spacer
33	PE-792010	1		Plug, Pipe
34	PE-792064	1		Ring, Snap
35	PE-786026	1		Pin, Dowel
36	PE-792003	1		Spring
37	PE-788008	1		Seal, Oil
38	PE-792019	1		Plug, Magnetic Drain
39	PE-780045	1		Washer, Thrust
39A		1		UNKNOWN
40	PE-780012	1		Bearing, Thrust
41	PE-788034	1		Seal, Oil
42	PE-780103	1		Bearing, Ball
43	PE-780104	1		Bearing, Thrust
44	PE-788048	1		Seal, Square Cut
45	PE-792065	1		Screw, Hex Hd. Mach., 1/2-13 x 1 1/2
46	PE-792066	1		Lock Washer, 1/2"
47	PE-792067	1		Screw, Hex Hd. Thd. Forming, 5/16-18 x 1
48	PE-792068	1		Screw, Set 1/4-20 x 1/2
49	PE-792004	1		Ball, Steel
50	PE-788049	1		Seal, Oil
51	PE-778093A	1		Pinion, Bevel
53	PE-782061	1		(9-1/4" Long)

143-998-190 GT-1855 (1993)
Transaxle

Ref #	Part Number	Qty	S/P/F	Description
53A	PE-782060	1		Housing, Axle (7-5/16" Long)



143-998-190 GT-1855 (1993)
Universal Drive Shaft & Shroud Cover

Page 26 of 28

Ref #	Part Number	Qty	S/P/F	Description
1		1		Engine
2	722-0148	1		Mylar Foam Strip For model 996 Only
3	710-0642	1	/P	Hex Wash. Hd. Self-Tap Scr. 1/4-20 x .75" Lg.
4	13590	1		Belt Guard
5	712-0798	1	/P/F	Hex Nut 3/8-16 Thd.
6	736-0169	1	S/F	L-Wash. 3/8" I.D.
7	710-0601	1	S	Hex Wash. Hd. Self-Tap Scr. 5/16-18 x .75" Lg.
8	13554	1		PTO Support Brkt.
9	714-0101	1	S	Hairpin Cotter 1/2" Dia.
10	736-0133	1	S	FI-Wash. .38" I.D. x 1.25" O.D. x .100" Thk.
11	783-0112	1		Engine Spacer Brkt Code: N Notates a new part (not previously existing). For model 998 Only.
12	783-0107	1		Engine Heat Shrouds Code: N Notates a new part (not previously existing). For model 998 Only.
13	783-0111	1		Heat Baffle - Lowered For model 998 Only.
14	751-0565	1		Crankshaft Ext. For model 998 Only.
15	13550	1	S	PTO Idler Ass'y.
16	711-0598	1		Idler Adapter
17	748-0271	1		Pulley Space For model 996 Only.
	750-0782	1		Pulley Spacer For model 998 Only.
18	756-0312	1		Engine PTO - Pulley For model 996 Only.
	756-0601	1		Engine PTO - Pulley For model 998 Only.
19	736-0217	1	S	L-Wash. 3/8" I.D. H.D. For model 996 Only.
	736-0169	1	S	L-Wash. 3/8" I.D. For model 998 Only.
20	710-0427	1	S/F	Hex Scr. 3/8-16 x 2.00" Lg. For model 996 Only.
	710-0696	1	/P	Hex Bolt 3/8-24 x .88" Lg. For model 998 Only.
21	736-0320	1	/P	FI-Wash. 3/8" I.D. x 1.37" O.D. For model 998 Only.
22	710-0937	1	S/F	Hex Bolt 3/8-16 x 2.50" Lg.
23	711-0306	1	/P	Flat Idler Pulley
24	756-0309	1		1/2" V-Pulley 7.00" O.D. (PTO)
25	716-0127	1	/P	Snap Ring
26	754-0234	1	S	"V"-Belt (PTO)
27	751-0573	1		Engine Screening Code: N Notates a new part (not previously existing). For model 998 Only.
28	710-3209	1		Hex Bolt M6-1.0 x 10 MM Lg. For model 998 Only.
29	750-0374	1		Spacer .375" I.D. x .62" O.D. x 1.830" Lg.
30	710-0224	1	S	Hex "B" Tap Scr. #10 x .50" Lg.
31	13546	1	S	PTO Cup
32	13542	1	S	PTO Belt Guard Ass'y.
33	710-0601	1	S	Hex Wash. Self-Tap Scr. 5/16-18 x .75
34	714-0154			

143-998-190 GT-1855 (1993)
Universal Drive Shaft & Shroud Cover

Page 27 of 28

Ref #	Part Number	Qty	S/P/F	Description
35	710-0528	1	/P	Hex Bolt 5/16-18 x 1.25" Lg.
36	712-0267	1	S/F	Hex Nut 5/16-18 Thd.
37	710-0607	1	/P	Hex Wash. Hd. Tap Scr. 5/16-18 x .5" Lg. For model 998 Only.
38	736-0119	1	S/F	L-Wash. 5/16" I.D.
39		1		UNKNOWN
40	741-0242	1	/P	1.00" Dia. Brg. w/Flangette
41	716-0127	1	/P	Snap Ring
42	710-0451	1	/P/F	Carr. Bolt 5/16-18 x .75" Lg.
43	738-0395	1		Spline Shaft
44	732-0262	1	S	Extension Spring (PTO Clutch)
45	710-0253	1	S/F	Hex Scr. 3/8-16 x 1.00" Lg.
50	710-0502A	1	/P	Hex Wash. Hd. Self-Tap Scr. 3/8-16 x 1.25" Lg. For model 996 Only.
	710-1035	1	/P	Hex L-Wash. TT-Tap Scr. 3/8-16 Thd. For model 998 Only.
51	746-0341	1	S	PTO Control Cable
52	710-0599	1	/P	Hex Wash. Hd. Self-Tap Scr. 1/4-20 x .50" For model 996 Only.
53	747-0211	1		PTO Handle
54	720-0218	1	/P	Shift Knob
55	13587	1		PTO Actuator Lever Ass'y.
56	736-0288	1		FI-Wash. .312" I.D. x 1.620" For model 996 Only.
58	751-0242	1		Muffler Ass'y. Comp. - R.H. For model 996 Only.
59	717-0402	1		Universal Drive Shaft Comp. For model 996 Only.
	647-0012	1		Universal Drive Shaft Comp. Code: N Notates a new part (not previously existing). For model 998 Only.
60	736-0264	1	S	FI-Wash. .312" I.D. x .630"
61	736-0142	1	S	FI-Wash. .281" I.D. x .5" O.D.
62	13722	1		Shroud Outer - R.H. For model 996 Only.
64	710-0666	1		Set Scr. 5/16-18 x .38" Lg.
65	714-0114	1	S	Sq. Key 1/4" x 2.00" Lg.
66	710-0751	1	/P	Hex Wash. Hd. Scr. 1/4-20 x 5/8" Lg. - Grade 5 For model 996 Only.
67	710-0224	1	S	Hex "AB" Tap Scr. #10 x .50" Lg For model 996 Only.
68	13720	1		Shroud Cover - R.H. For model 996 Only.
69	710-0157	1	/P/F	Hex Bolt 5/16-24 x .75" Lg. For model 996 Only.
71	13723	1		Shroud Support Brkt. For model 996 Only.
72	13719	1		Shroud Cover - L.H. For model 996 Only.
73	13721	1		Shroud Outer - L.H. For model 996 Only.
74	731-0466	1		Spring Cover Tubing (PTO Clutch)

143-998-190 GT-1855 (1993)
Universal Drive Shaft & Shroud Cover

Page 28 of 28

Ref #	Part Number	Qty	S/P/F	Description
75	13714B	1		Shroud Inner Ass'y. - L.H. Code: N Notates a new part (not previously existing). For model 996 Only.
76	13717A	1		Shroud Inner Ass'y. - R.H. For model 996 Only.
77	725-1426	1	S	Solenoid
78	710-0289	1	S	Hex Bolt 1/4-20 x 1/2" Lg.
79	725-0459	1	S	Circuit Breaker For model 996 Only.
	725-1382	1	/P	Circuit Breaker For model 998 Only.
80	710-0351	1	/P	Truss Mach. Scr. #10 x .50" Lg.
81	725-3169A	1	S	Safety Switch (PTO)
82	736-0329	1	S/F	L-Wash. 1/4" I.D.
83	741-0303	1	/P	Ball Bearing
?84	751-0241	1		Muffler Ass'y. Comp. - L.H. (Not shown). For model 996 Only.
85	736-0331	1	/P	Bell-Wash. .39" I.D. x 1.13"
86	710-0344	1	/P/F	Hex Bolt 3/8-16 x 1.5" Lg.
87	712-3000	1	S	Hex Cent. L-Nut 3/8-16 Thd.
?88	712-0123	1	/P	Hex Nut 5/16-24 Thd.
89	736-0289	1	S	Shoulder Spacer
90	736-0362	1	/P	FI-Wash. .33" I.D. x 1.25" O.D.
91	747-0874	1		PTO Brake Rod
92	732-0339	1	S	Extension Spring 2.15" Lg.
?93	13550	1	S	PTO Idler Arm Ass'y.
94	17116	1	S	Brake Ass'y.
95	683-0013	1		PTO Brg. Retainer Brkt. Ass'y.
96	737-0164	1	S	Pipe Nipple 3/8" x 5" Lg.
97	737-0143	1	S	Oil Drain Cap
98	726-0272	1	/P	Clamp
99	710-0157	1	/P	Hex Bolt 5/16-24 x .75" Lg.
100	712-0123	1	/P	Hex Nut 5/16-24 Thd.